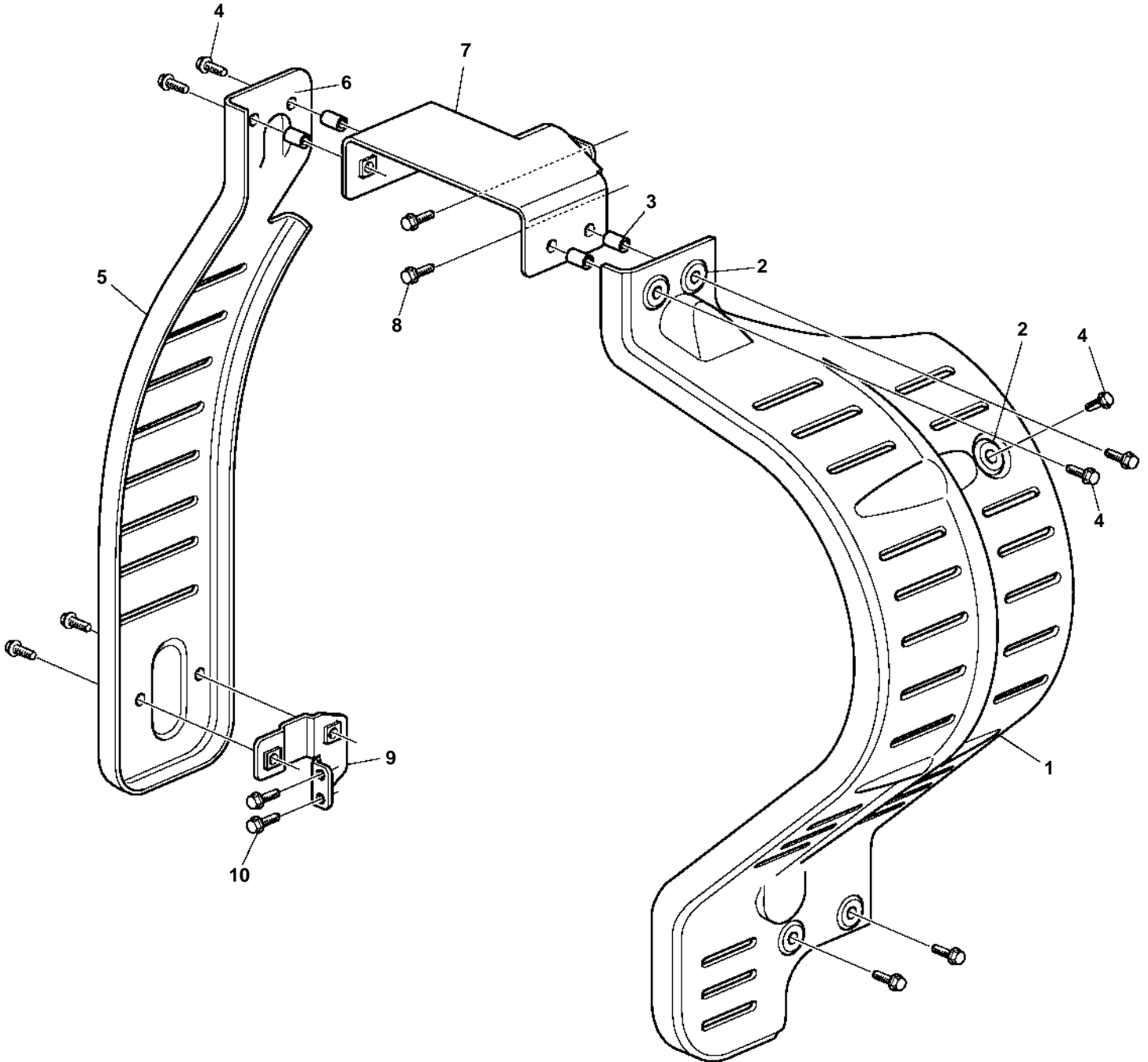


D9A2A MG



20150

D9A2A MG

REF	PART NO.	QTY	DESCRIPTION	NOTES
1	3839223	1	Belt protector	
2	673989	5	· Rubber bushing	
3	3830336	9	Spacer	
4	945444	9	Flange screw	M8x25mm
5	3839222	1	Belt protector	
6	673989	4	· Rubber bushing	
7	3838160	1	Bracket	
8	946471	2	Screw	M10x16mm
9	3839168	1	Bracket	
10	946440	2	Flange screw	M8x16mm